

64mm flat burrs

MM
MM
MAZZER®

Super Jolly/V up
electronic

TOUCH CONTROL

ELECTRONIC FEATURES

YOUR COFFEE SIDEKICK

New electronic features give to barista, coffee roaster, business owner or service more control over the grinder.

TOUCH control panel

PROGRAMMABLE single, double and third dose buttons

MANUAL GRINDING mode

STEPS of a hundredth of a second

TOTAL dose counter

PARTIAL dose counter

MANUAL PAUSE function in between grinding

Ability to set up a **MAX TIME** per dose



Bright and colourful **TOUCH** control panel

EXCELLENT TOUCH DETECTION

Super Jolly V Up is the first in the Mazzer range to feature a bright **TOUCH CONTROL PANEL**, direct and easy to understand, with an excellent touch detection and wide viewing angle.



Super Jolly / V^{Up} electronic

SIMPLICITY OF USE

The grinder is easy to use, and has everything you need to make excellent coffee in a small to medium-sized coffee shop. The Super Jolly V Up is a streamlined sibling to the V Pro with a touch-sensitive digital interface.

MUST-HAVE FEATURES

Universal **portafilter holder** adjustable in height

Portafilter activated grind button to grind hand-free

Stepless micrometrical grind adjustment

Optional magnet to place a **tag** on the hopper with the name of the coffee



GFC

Grind Flow Control System

MAXIMUM CONTROL

GFC Reduces the **electrostatic charge** which causes the coffee powder on tray and counter and **prevents clumping**. It is composed of a **removable** aluminum outlet insert equipped with an easy to clean extractable wire damper to get a **dynamic control** over the flow of coffee throughout the chute.



RELIABLE AND ICONIC

The new Super Jolly V Up is addressed to those who look for simplicity of use without having to compromise on reliability or ergonomics.

A modern grinder that paid tribute to the iconic style of the 1971 Mazzer Jolly.

HARDENED HIGH CARBON STEEL BURRS



64mm flat burrs have been re-engineered to **speed up** the dosing time by 20%. 100% made in Italy by Mazzer.

SAVE COFFEE



Low retention grinder to **save time and coffee** each time you change your settings.

CONSISTENT RESULTS



Uniform coffee grounds and consistent dosing to keep consistent results.

DURABLE AND ECO-FRIENDLY



93% of the grinder weight comes from **premium materials** like stainless steel, aluminum, brass, and copper, to make it not only durable but also easy to recycle and eco-friendly.



SUPER JOLLY V Up electronic Tech Specs

EN

Grinding on demand, electronic dose adjustment

Power	350 Watt
Grinding adjustment	stepless micrometrical
Burrs	flat burrs 64mm (2 1/2 inches) (ref. 233M)
Grinding burrs speed	1400 rpm (50 Hz) - 1600 rpm (60Hz)
Body	aluminum die casting
Hopper capacity	1.1 kg (2.4 lbs)
Net weight	14 kg - 31 lbs
Equipment features	GFC
Optional features	Tag holder

IT

Macinatura istantanea, regolazione elettronica della dose

Potenza	350 Watt
Regolazione macinatura	micrometrica continua
Macine	macine piane 64mm (ref.233M)
Ciri macine	1400 rpm (50 Hz) - 1600 rpm (60Hz)
Carrozzeria	alluminio pressofuso
Campana	1.1 kg
Peso netto	14 kg
Di serie	GFC
Optional	Portanome

FR

Mouture instantanée, réglage électronique de la dose

Puissance	350 Watt
Régulation de mouture	micrométrique continue
Meules	meule plate 64mm (réf. 233M)
Tours meules	1400 tr/min (50 Hz) - 1600 tr/min (60Hz)
Chassis	aluminium moulé sous pression
Trémie	1.1 kg
Poids net	14 kg
Dotation	GFC
Options	porte-nom

DE

Augenblickliches Mahlen, Elektronische Einstellung der Dosis

Leistung	350 Watt
Mahlregelung	Stufenlose Mikrometrische
Mahlscheiben	Flache 64mm (ref. 233M)
Mahlscheibenumdrehungen	1400 rpm (50 Hz) - 1600 rpm (60Hz)
Gehäuse	Aluminium Druck-Guss
Kapazität des Bohnenbehälters	1.1 kg
Nettogewicht	14 kg
Lieferumfang Zubehör	GFC
Optionals	Namenhalter

ES

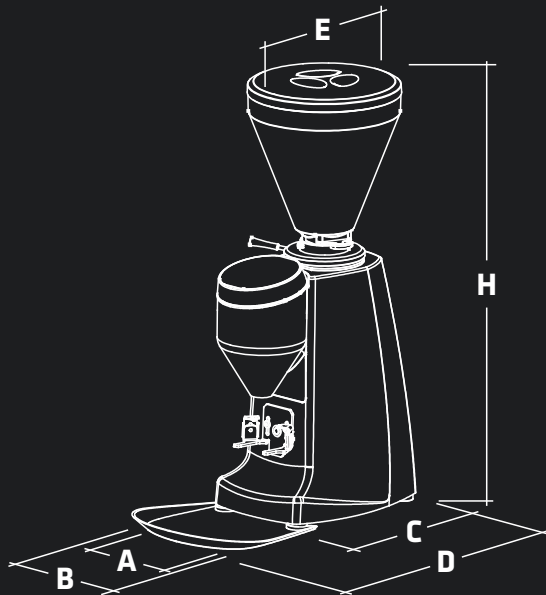
Moledura instantánea, regulación electrónica de la dosis

Potencia	350 Watt
Regulación molienda	micrométrica continua
Fresas	fresas planas 64mm (ref. 233M)
Revoluciones fresas	1400 rpm (50 Hz) - 1600 rpm (60Hz)
Chassis	fundición a presión de aluminio
Capacidad de la tolva	1.1 kg
Peso neto	14 kg
Incluido	GFC
Opciones	Tag holder

PT

Moagem instantânea, regulação eletrônica de dose

Potencia	350 Watt
Regulação da moagem	micrométrica contínua
Mós	mós planas 64mm (ref. 233M)
Rotações dos mós	1400 rpm (50 Hz) - 1600 rpm (60Hz)
Chassis	alumínio fundido sob pressão
Capacidade tremonha	1.1 kg
Peso líquido	14 kg
Incluído como padrão	GFC
Opções	Tag holder



Stepless micrometrical grind adjustment

dimensions

	mm	inches
A	207	8 ¼
B	240	9 ½
C	255	10
D	410	16 ¼
H	595	23 ½
E	210	8 ¼



64mm
flat burrs

colours



pure white



matt black



matt gray



silver



polished aluminum



bright red

* Upon request with extra charge



powder blue

certifications



Intertek



Intertek



The manufacturer reserves the right to change specifications without notice

MAZZER LUIGI S.p.a.
Via Moglianese Gardigiano 113
30037 Scorzè (VE) - Italy
Tel.: +39 041 5831300
mazz@mazzer.com
www.mazzer.com

  @mazzerofficial

Made in Venice

MIM
MAZZER

